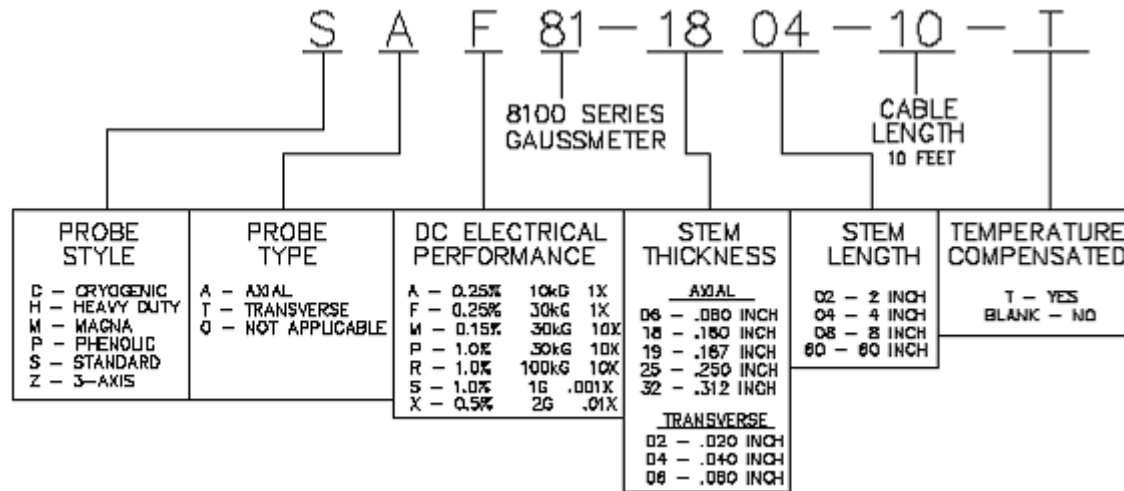




8000 Series Probe Selection Guide



AXIAL PROBES

MODEL #	ITEM #
HAF81-2504-10	122300
HAF81-2504-10-T	122301
HAF81-2508-10	122302
HAF81-2508-10-T	122303
HAM81-2504-10	122304
HAM81-2504-10-T	122305
HAM81-2508-10	122306
HAM81-2508-10-T	122307
SAF81-1804-10	122308
SAF81-1804-10-T	122309
SAF81-1808-10	122310
SAF81-1808-10-T	122311
SAM81-1804-10	122312
SAM81-1804-10-T	122313
SAM81-1808-10	122314
SAM81-1808-10-T	122315

TRANSVERSE PROBES

MODEL #	ITEM #
HTF81-0604-10	122318
HTF81-0604-10-T	122319
HTF81-0608-10	122320
HTF81-0608-10-T	122321
HTM81-0608-10	122322
HTM81-0608-10-T	122323
STF81-0402-10	122324
STF81-0402-10-T	122325
STF81-0404-10	122326
STF81-0404-10-T	122327
STM81-0402-10	122328
STM81-0402-10-T	122329
STM81-0404-10	122330
STM81-0404-10-T	122331
STF81-0204-10	122332
STF81-0204-10-T	122333

MISCELLANEOUS PROBES

MODEL #	ITEM #
CTP81-3260-10	122334
CAP81-2560-10	122336
* HAR81-2508-10	122338
* SAR81-1808-10	122339
* HTR81-0608-10	122340
** MOS81-3204-10 **	122341
** MOX81-2508-10 **	122342
ZOAB3-3208-10	122343
ZOAB3-3208-10-T	122344
~ ~ PAA81-1908-10	122346

* HIGH FIELD PROBES
** LOW FIELD PROBES
~ ~ HIGH FREQUENCY PROBES